

The Original **PostMaster®**

***Give your customers
the fence they want.***

The Original **PostMaster®**

- Post can be easily hidden on both sides
- Limited Lifetime Warranty*
- Withstands up to 73 MPH winds
- Installs In-line or Staggered
- Can be used with almost any fence style

The Original **PostMaster®** Steel Post is engineered to anchor most Privacy and Picket fence systems including the most popular fence styles; Board-on-Board, Shadowbox, Horizontal and Picket fences.



Picket



Board-on-Board



Horizontal



Shadowbox



**MASTER
HALCO®**

***The Original PostMaster®, a great way to
differentiate yourself from your competitors.***

*see warranty for full details

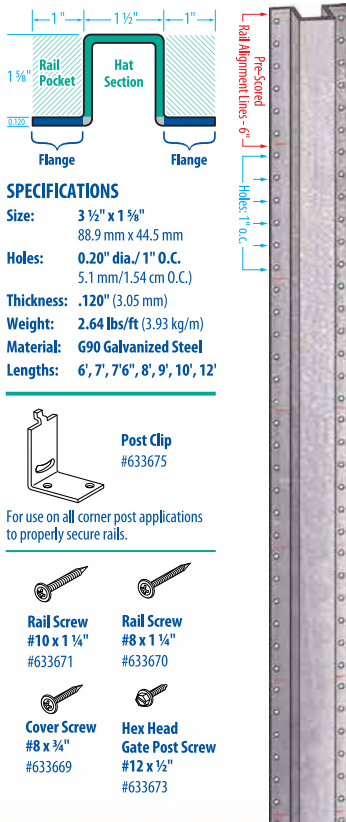
The Original PostMaster® Adds Value

Installation Versatility:



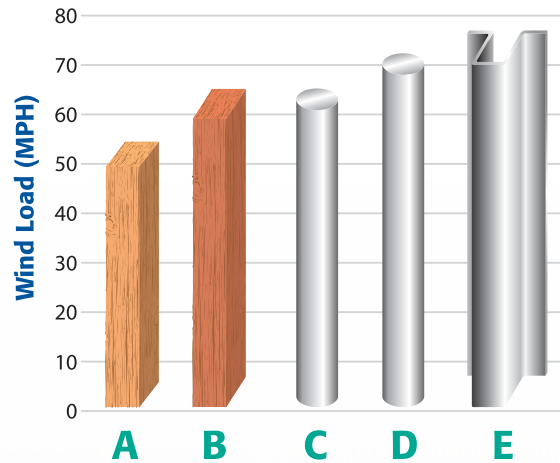
In-Line

Staggered



Designed for the Elements

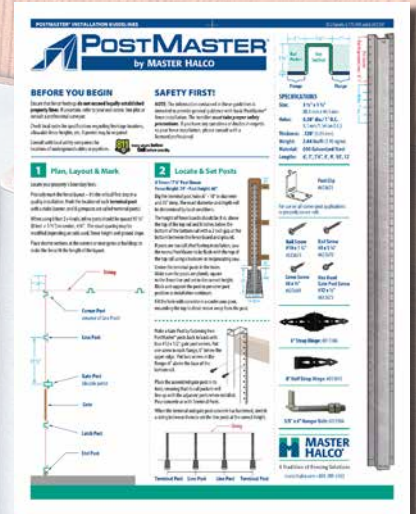
- Engineered to withstand a 73-mph wind load
- Fewer parts: No wasted time assembling brackets
- **Limited Lifetime Warranty**



- E - Postmaster® / 73 MPH**
- D - Pipe (2-3/8, Sch 40) / 68 MPH**
- C - Tube (2-3/8 x .065) / 61MPH**
- B - Redwood (4x4) / 59 MPH**
- A - Cedar (4x4) / 49 MPH**

Also available at your Master Halco branch, ready for installation

The Sales and Training Tools You Need



Quality Products,
Exceptional Service,
Outstanding People.

Chain Link | Ornamental | Vinyl | Wood | Access Controls | Agricultural
Lead.management@masterhalco.com
888.643.3623 | MasterHalco.com